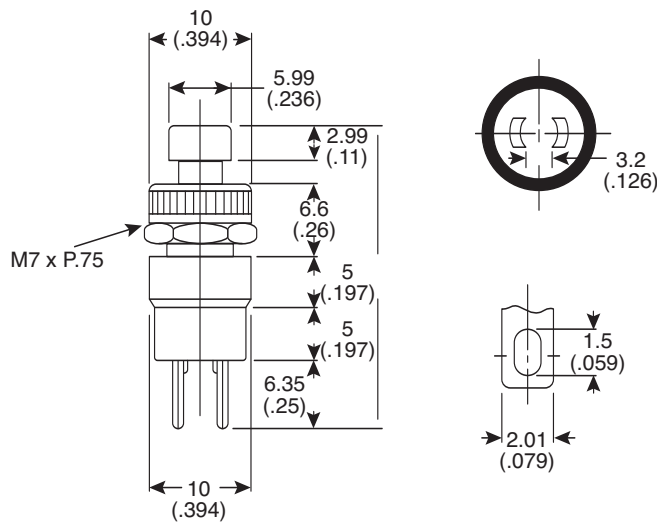


Dimensions: mm (In.)



Electrical Specifications:

- Rating: 1A/125VAC
- Insulation resistance: 100MΩ (min.) @ 500VDC
- Dielectric Strength: 1000VAC for 1 minute
- Contact resistance: 20mΩ (max.)

Mouser Stock No.	Type	Circuit	Button Color
10PA220	SPST	Off-(On)	Red
10PA221	SPST	Off-(On)	Black

Pushbutton Switches
10PA220, 10PA221

